

1.25Gb/s SFP 1550nm 80km Optical Transceiver

Features

- Operating data rate 1250Mbps
- Industry standard Small Form Pluggable (SFP) package
- Digital diagnostic monitor interface compliant with SFF-8472
- Duplex LC connector
- Up to 80km transmission distance on 9/125um SMF
- Single +3.3V power supply
- Differential LVPECL inputs and outputs
- TTL signal detect indicator
- Hot-pluggable capability
- RoHS compliant
- Case operating temperature: 0 ~ +70°C

Applications

- Switch to Switch interface
- Switched backplane applications
- Router/Server interface
- Other optical transmission systems

Compliance

- SFP MSA(INF-8074i)
- SFF-8472
- IEEE802.3z Gigabit Ethernet
- RoHS

Description

The transmitter section uses a multiple quantum well 1550nm DFB laser and is a class 1 laser compliant according to International Safety Standard IEC-60825. The receiver section uses an integrated InGaAs detector preamplifier (IDP) mounted in an optical header and a limiting post-amplifier IC. The SFP-1G-ZX series are designed to be compliant with SFF-8472 SFP Multi-source Agreement (MSA).

Absolute Maximum Ratings

Parameter	Symbol	Min.	Max.	Unit
Storage Temperature	TS	-40	+85	°C
Supply Voltage	VCC	0	+3.7	V
Relative Humidity(Non-condensing)	RH	+5	+85	%
Power Dissipation	PD		1	W

Recommended Operating Conditions

Parameter	Symbol	Min.	Typical	Max.	Unit
Operating Case Temperature	Tc	0		+70	°C
Power Supply Voltage	VCC3	3.135	3.3	3.465	V
Data Rate	DR		1250		Mbps
Power Supply Current	Icc			300	mA

Transmitter Operating Characteristic-Optical

Parameter	Symbol	Min.	Typical	Max.	Unit	Note
Output Optical Power	PO	0		5	dBm	
Optical Rise Time	TR		100	175	ps	
Optical Fall Time	TF		100	175	ps	
Center Wavelength Range	λ_c	1500	1550	1580	nm	
-20dB Spectral Width	$\Delta\lambda$			1	nm	
Side Mode Suppression Ratio	SMSR	30			dB	
Optical Power for TX DISABLE	Ptx-dis			-30	dBm	
Extinction Ratio	ER	9.5			dB	

Receiver Operating Characteristic-Optical

Parameter	Symbol	Min.	Typical	Max.	Unit	Note
Differential Output Voltage	Vout p-p	600		1000	mV	
Receiver Sensitivity	Sen			-26	dBm	
Overload Input Power	So	-3			dBm	
Los Asserted	PA	-35			dBm	
Los De-asserted	PD			-23		
Receiver Optical Wavelength	λ in	1260		1620	nm	
Maximum Input Power	Pmax	0			dBm	

Digital diagnostic Functions

The following digital diagnostic characteristics are defined over the Recommended Operating Environment unless otherwise specified. It is compliant to SFF-8472 Rev10.2 with internal calibration mode. For external calibration mode please contact our sales staff.

Parameter	Symbol	Min.	Max.	Unit	Notes
Temperature monitor absolute error	DMI_Temp	-3	3	°C	
Laser power monitor absolute error	DMI_TX	-3	3	dB	
RX power monitor absolute error	DMI_RX	-3	3	dB	-1dBm to -16dBm range
Supply voltage monitor absolute error	DMI_VCC	-1	1	V	Full operating range
Bias current monitor	DMI_Ibias	-10	10	%	

Pin Description

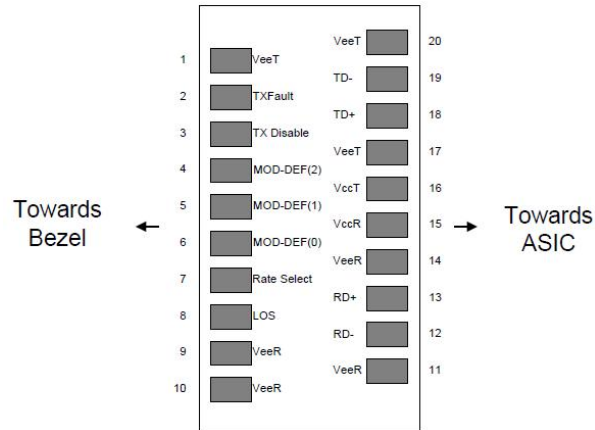


Figure1 Pin view

SFP+ Module PIN Definition

PIN	Symbol	Name / Description	Power Sequence Order	Note
1	VeeT	Module Transmitter Ground	1st	
2	TX_Fault	Module Transmitter Fault	3rd	1
3	TX_Dis	Transmitter Disable; Turns off transmitter laser output	3rd	2
4	SDA	2-Wire Serial Interface Data Line	3rd	
5	SCL	2-Wire Serial Interface Clock	3rd	
6	MOD_ABS	Module Absent, connected to VeeT or VeeR in the module	3rd	
7	RS0	Not used	3rd	
8	RX_LOS	Receiver Loss of Signal Indication Active High	3rd	
9	RS1	Not used	3rd	
10	VeeR	Module Receiver Ground	1st	
11	VeeR	Module Receiver Ground	1st	
12	RD-	Receiver Inverted Data Output	3rd	
13	RD+	Receiver Data Output	3rd	
14	VeeR	Module Receiver Ground	1st	
15	VccR	Module Receiver 3.3 V Supply	2nd	
16	VccT	Module Receiver 3.3 V Supply	2nd	
17	VeeT	Module Transmitter Ground	1st	
18	TD+	Transmitter Non-Inverted Data Input	3rd	
19	TD-	Transmitter Inverted Data Input	3rd	
20	VeeT	Module Transmitter Ground	1st	

[1] TX Fault is an open collector/drain output, which should be pulled up with a 4.7K – 10K Ω resistor on the host board. Pull up voltage between 2.0V and VccT, R+0.3V. When high, output indicates a laser fault of some kinds. Low indicates normal operation. In low state, the output will be pulled to < 0.8V.

[2] TX disable is an input that is used to shut down the transmitter optical output. It is pulled up within the module with a 4.7 – 10 K Ω resistor. Its states are: Low (0 – 0.8V): Transmitter on (> 0.8, < 2.0V): Undefined High (2.0 – 3.465V): Transmitter Disabled Open: Transmitter Disabled.

Mechanical Outline

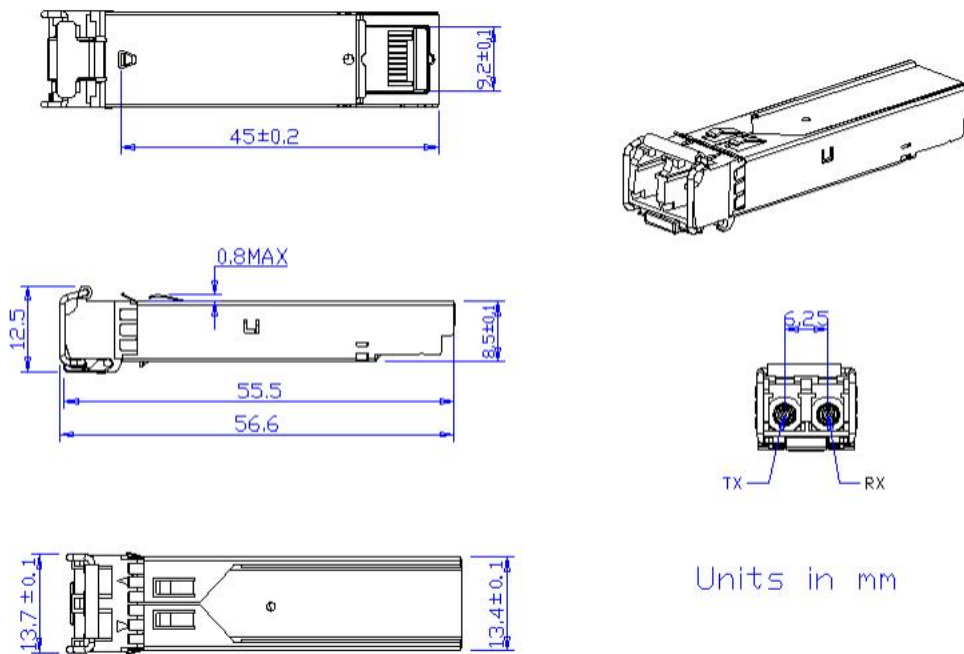


Figure2 Mechanical Outline

Further Information:

Web www.naddod.com

Email For order requirements: sales@naddod.com

For cooperation: agency@naddod.com

For customer service: support@naddod.com

For other informations: info@naddod.com

For technical support: tech@naddod.com

Disclaimer

1. We are committed to continuous product improvement and feature upgrades, and the contents contained in this manual are subject to change without notice.
2. Nothing herein should be construed as constituting an additional warranty.
3. NADDOD assumes no responsibility for the use or reliability of equipment or software not provided by NADDOD.

Copyright © NADDOD.COM All Rights