

800G Twin-port 2x400Gb/s OSFP to 2x400Gb/s QSFP112 Active Copper Splitter Cable

Features

- 800Gb/s to two 400Gb/s data rates
- Based on 100G-PAM4 modulation
- 4 and 5-meter lengths
- OSFP switch end 1.5 Watts
- QSFP112 ends 0.6 Watts
- Operating case temperature 0-70°C
- Hot pluggable
- RoHS compliant
- LF (Lead Free) HF (Halogen Free) PCB
- OSFP head end is CMIS based
- QSFP112 ends are SFF-8636 based

Applications

- 2x400Gb/s OSFP switch-to-two 400Gb/s QSFP112 adapters

Description

O2Q112-800G-ACC is an 800Gb/s Twin-port OSFP (Octal Small Form-factor Pluggable) to 2x 400Gb/s QSFP112 (Quad Small Form-factor Pluggable 112G) Active Copper Cable (ACC) dual breakout (aka splitter) cable for Ethernet networking.

The switch end OSFP has a finned top for additional cooling and the QSFP112 end is flat topped and uses riding heat sinks on the adapter OSFP cage. The ACC contains eight high-speed electrical copper pairs, each operating at data rates of up to 100Gb/s using 100G-PAM4 modulation.

The “active” term refers to the passive copper cable with an equalizer integrated circuit to extend the length to 4 and 5-meters while maintaining very low-latency and very low-power at 1.5 Watts and 0.6 Watts per split end.

Absolute Maximum Specifications

Absolute maximum ratings are those beyond which damage to the device may occur.

Between the operational specifications and absolute maximum ratings, prolonged operation is not intended and permanent device degradation may occur.

Table1-Absolute Maximum Specifications					
Parameter	Min.	Typical	Max.	Unit	Note
Supply voltage	-0.3		3.6	V	
Data Input Voltage	-0.3		3.6	V	
Control Input Voltage	-0.3		3.6	V	

Environmental Specifications

This table shows the environmental specifications for the product

Table2-Environmental Specifications				
Parameter	Min	Typical	Max.	Units
Storage Temperature	-40		85	°C

Operational Specifications

Table3-Optical Specifications					
Parameter	Min.	Typical	Max.	Unit	Note
Supply Voltage (Vcc)	3.135	3.3	3.465	V	
Power Consumption(OSFP end)	--	--	1.5	W	
Power Consumption(QSFP112 end)	--	--	0.6	W	
Operating Case Temperature	0		70	°C	
Operating Relative Humidity	5		85	%	

Electrical Specifications

Table4-Electrical Specifications					
Parameter	Min.	Typical	Max.	Unit	Note
Characteristic impedance	90	100	110	Ω	
Time propagation delay	-	-	4.5	ns/m	

Mechanical Performance Requirements

Table5-Mechanical Performance Requirements		
Parameter	Value	Units
Diameter	30AWG: 7.2 ±0.03	mm
	26AWG: 8.9 ±0.03	
Length tolerance	length < 2 m, ±25	mm
	length ≥ 2 m, ±50	

Minimum Bend Radius

Table6-Minimum Bend Radius		
OPN	Length (m)	AWG (mm)
O2Q112-800G-AC4	4.0	30AWG, 2x8pairs
O2Q112-800G-AC5	5.0	26AWG, 2x8pairs

Note:

The minimum assembly bending radius (close to the connector) is 10x the cable's outer diameter. The repeated bend (far from the connector) is also 10x the cable's outer diameter. The single bend (far from the connector) is 5x the cable's outer diameter.

'Combined' end is the 'head' where the cables join together, inserted into the switch. 'Single end' is the 'tail' which plugs into the HCA/NIC in a server.

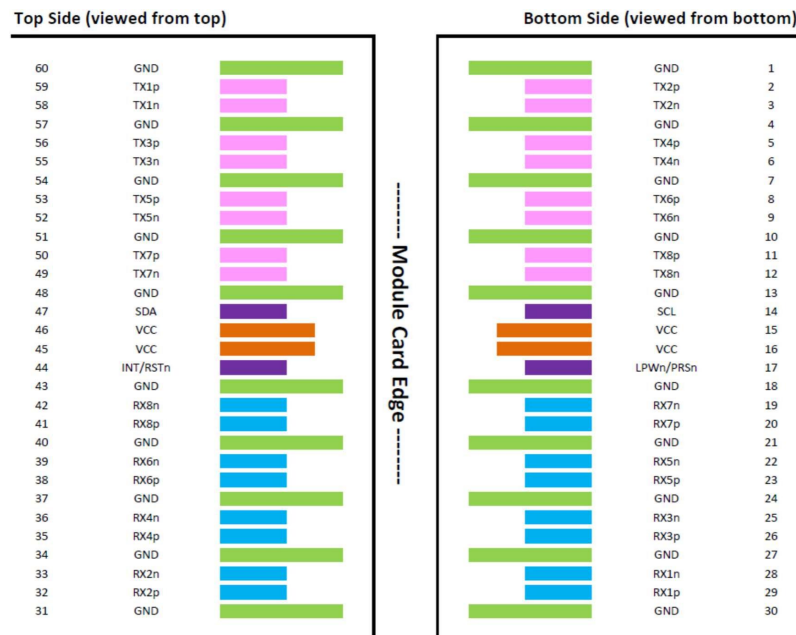
**L = Assembly Space. Minimum value depends on the backshell (connector housing)

dimensions = the space for the cable assembly behind the rack door.

OSFP Pin Description

Table7-OSFP Pin Description					
Pin	Symbol	Description	Pin	Symbol	Description
1	GND	Ground	31	GND	Ground
2	Tx2p	Transmitter Non-Inverted Data Input	32	Rx2p	Receiver Non-Inverted Data Output
3	Tx2n	Transmitter Inverted Data Input	33	Rx2n	Receiver Inverted Data Output
4	GND	Ground	34	GND	Grounds
5	Tx4p	Transmitter Non-Inverted Data Input	35	Rx4p	Receiver Non-Inverted Data Output
6	Tx4n	Transmitter Inverted Data Input	36	Rx4n	Receiver Inverted Data Output
7	GND	Ground	37	GND	Ground
8	Tx6p	Transmitter Non-Inverted Data Input	38	Rx6p	Receiver Non-Inverted Data Output
9	Tx6n	Transmitter Inverted Data Input	39	Rx6n	Receiver Inverted Data Output
10	GND	Ground	40	GND	Ground
11	Tx8p	Transmitter Non- Inverted Data input	41	Rx8p	Receiver Non-Inverted Data Output
12	Tx8n	Transmitter Inverted Data Input	42	Rx8n	Receiver Inverted Data Output
13	GND	Ground	43	GND	Ground
14	SCL	2-wire serial interface clock	44	INT / RSTn	Module Interrupt / Module Reset
15	VCC	+3.3V Power	45	VCC	+3.3V Power
16	VCC	+3.3V Power	46	VCC	+3.3V Power
17	LPWn / PRSn	Low-Power Mode / Module Present	47	SDA	2-wire Serial interface data
18	GND	Ground	48	GND	Ground
19	Rx7n	Receiver Inverted Data Output	49	Tx7n	Transmitter Inverted Data Input
20	Rx7p	Receiver Non-Inverted Data Output	50	Tx7p	Transmitter Non-Inverted Data Input
21	GND	Ground	51	GND	Ground
22	Rx5n	Receiver Inverted Data Output	52	Tx5n	Transmitter Inverted Data Input
23	Rx5p	Receiver Non-Inverted Data Output	53	Tx5p	Transmitter Non-Inverted Data Input
24	GND	Ground	54	GND	Ground
25	Rx3n	Receiver Inverted Data Output	55	Tx3n	Transmitter Inverted Data Input
26	Rx3p	Receiver Non-Inverted Data Output	56	Tx3p	Transmitter Non-Inverted Data Input
27	GND	Ground	57	GND	Ground
28	Rx1n	Receiver Inverted Data Output	58	Tx1n	Transmitter Inverted Data Input
29	Rx1p	Receiver Non-Inverted Data Output	59	Tx1p	Transmitter Non-Inverted Data Input
30	GND	Ground	60	GND	Ground

OSFP Module Pad Layout

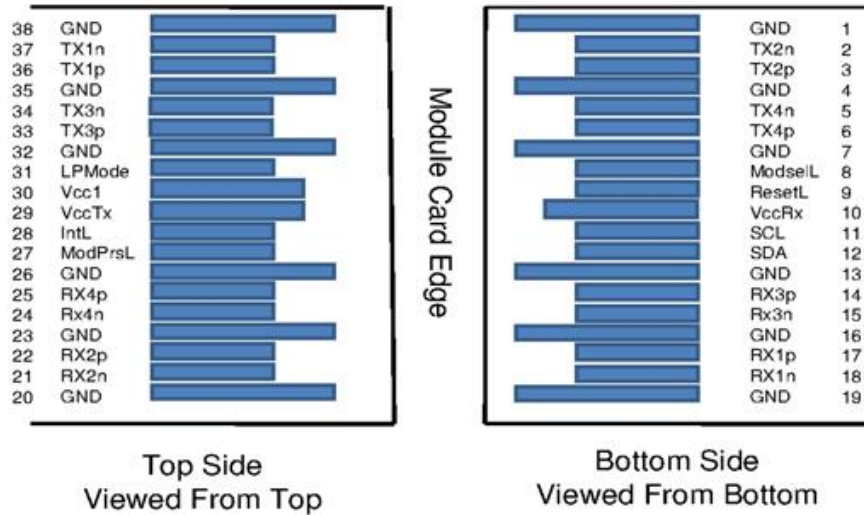


QSFP112 Pin Description

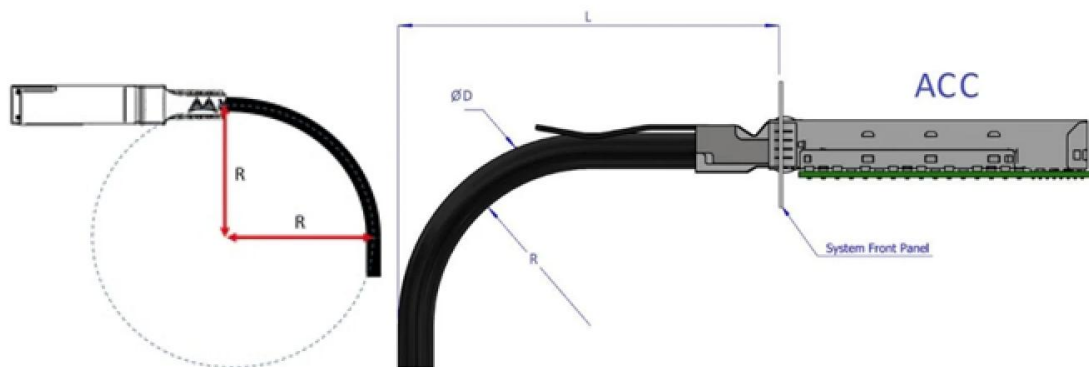
Pin	Symbol	Description	Pin	Symbol	Description
1	Ground	Ground	20	Ground	Ground
2	Tx2n	Connected to Port 1 lane Rx2 Inverted Data	21	Rx2n	Connected to Port 1 lane Tx2 Inverted Data
3	Tx2p	Connected to Port 1 lane Rx2 Non-Inverted Data	22	Rx2p	Connected to Port 1 lane Tx2 Non-Inverted Data
4	Ground	Ground	23	Ground	Grounds
5	Tx4n	Connected to Port 2 lane Rx2 Non-Inverted Data	24	Rx4n	Connected to Port 2 lane Tx2 Inverted Data
6	Tx4p	Connected to Port 2 lane Rx2 Inverted Data	25	Rx4p	Connected to Port 2 lane Tx2 Non-Inverted Data
7	Ground	Ground	26	Ground	Ground
8	Mod-SelL	Cable Select	27	ModPrsL	Cable Present
9	ResetL	Cable Reset	28	IntL	Interrupt
10	Vcc Rx	+3.3V Power supply receiver	29	Vcc Tx	+3.3V Power supply transmitter
11	SCL	2-wire serial interface clock	30	Vcc1	+3.3V Power Supply
12	SDA	2-wire serial interface data	31	LPMode	Low Power Mode
13	Ground	Ground	32	Ground	Ground
14	Rx3p	Connected to Port 2 lane Tx1 Non-Inverted Data	33	Tx3p	Connected to Port 2 lane Rx1 Non-Inverted Data
15	Rx3n	Connected to Port 2 lane Tx1 Inverted Data	34	Tx3n	Connected to Port 2 lane Rx1 Inverted Data

16	Ground	Ground	35	Ground	Ground
17	Rx1p	Connected to Port 1 lane Tx1 Non-Inverted Data	36	Tx1p	Connected to Port 1 lane Rx1 Non-Inverted Data
18	Rx1n	Connected to Port 1 lane Tx1 Inverted Data	37	Tx1n	Connected to Port 1 lane Rx1 Inverted Data
19	Ground	Ground	38	Ground	Ground

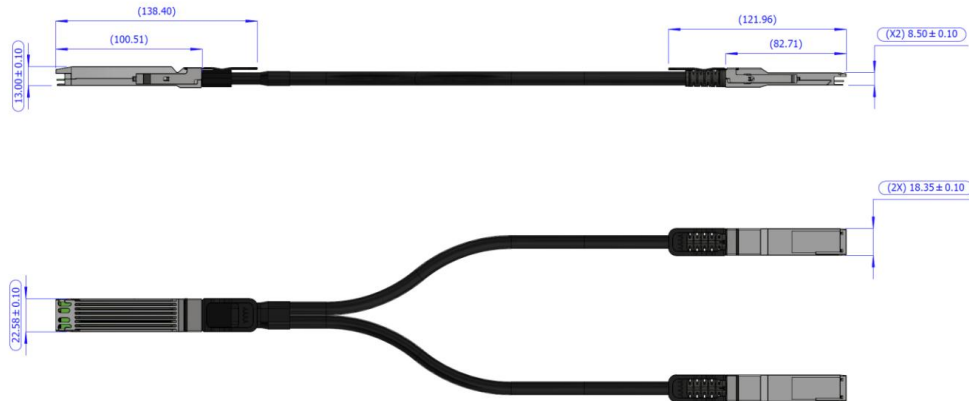
QSFP112 Module Pad Layout



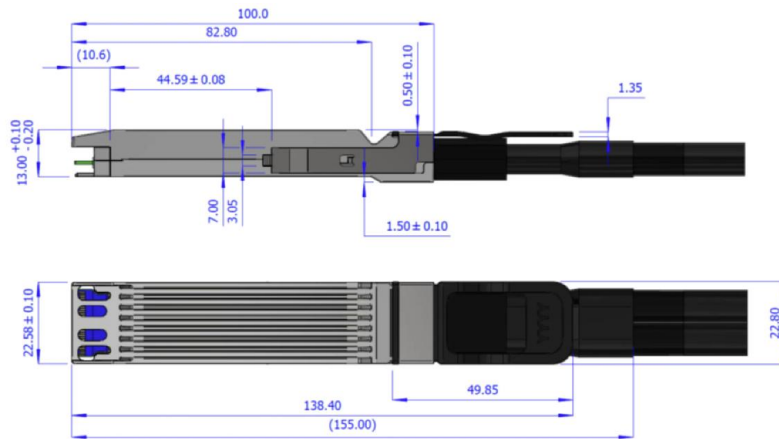
Assembly Bending Radius



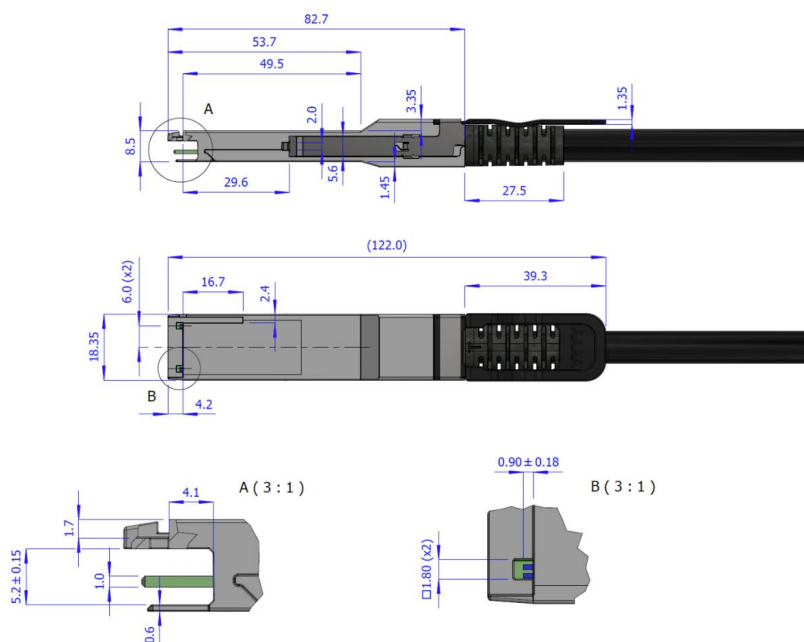
Cable Dimensions



OSFP Finned Head Dimensions



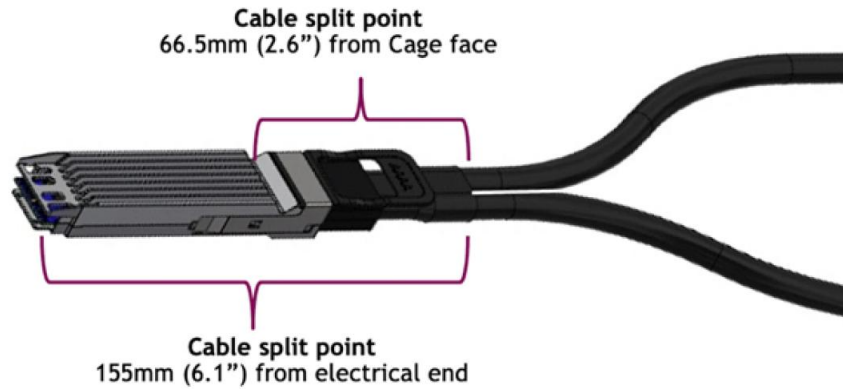
QSFP112 Flat Ends Dimensions



Cable Length Definition



Cable Splitting Point



Ordering Information

Table9-Ordering Information

PN	Description
02Q112-800G-AC4	active copper splitter cable, 800Gb/s to 2x 400Gb/s, OSFP to 2x QSFP112, 4m
02Q112-800G-AC5	active copper splitter cable, 800Gb/s to 2x 400Gb/s, OSFP to 2x QSFP112, 5m

Notice

This document is provided for information purposes only and shall not be regarded as a warranty of a certain functionality, condition, or quality of a product. Neither NADDOD make any representations or warranties, expressed or implied, as to the accuracy or completeness of the information contained in this document and assumes no responsibility for any errors contained herein. NADDOD shall have no liability for the consequences or use of such information or for any infringement of patents or other rights of third parties that may result from its use. This document is not a commitment to develop, release, or deliver any material (defined below), code, or functionality.

NADDOD reserves the right to make corrections, modifications, enhancements, improvements, and any other changes to this document, at any time without notice. Customer should obtain the latest relevant information before placing orders and should verify that such information is current and complete.

NADDOD makes no representation or warranty that products based on this document will be suitable for any specified use. Testing of all parameters of each product is not necessarily performed by NADDOD. It is customer's sole responsibility to evaluate and determine the applicability of any information contained in this document, ensure the product is suitable and fit for the application planned by customer, and perform the necessary testing for the application in order to avoid a default of the application or the product.

NADDOD products are sold subject to the NADDOD standard terms and conditions of sale supplied at the time of order acknowledgement, unless otherwise agreed in an individual sales agreement signed by authorized representatives of NADDOD and customer ("Terms of Sale"). NADDOD hereby expressly objects to applying any customer general terms and conditions with regards to the purchase of the NADDOD product referenced in this document. No contractual obligations are formed either directly or indirectly by this document.

Further Information:

Web www.naddod.com

Email For order requirements: sales@naddod.com

For cooperation: agency@naddod.com

For customer service: support@naddod.com

For other informations: info@naddod.com

For technical support: tech@naddod.com

Disclaimer

1. We are committed to continuous product improvement and feature upgrades, and the contents contained in this manual are subject to change without notice.
2. Nothing herein should be construed as constituting an additional warranty.
3. NADDOD assumes no responsibility for the use or reliability of equipment or software not provided by NADDOD.

Copyright © NADDOD.COM All Rights